

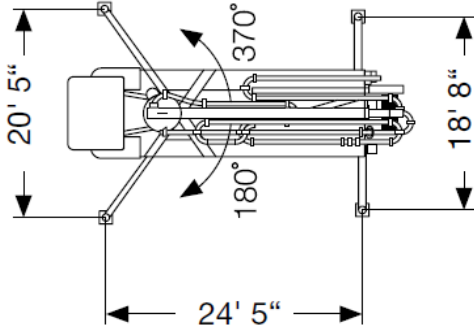
Office: 513.863.7265
 Toll-free: 844.RAM.PUMP
 4604 Old Kyles Station Rd.
 Hamilton, Ohio 45011-2328



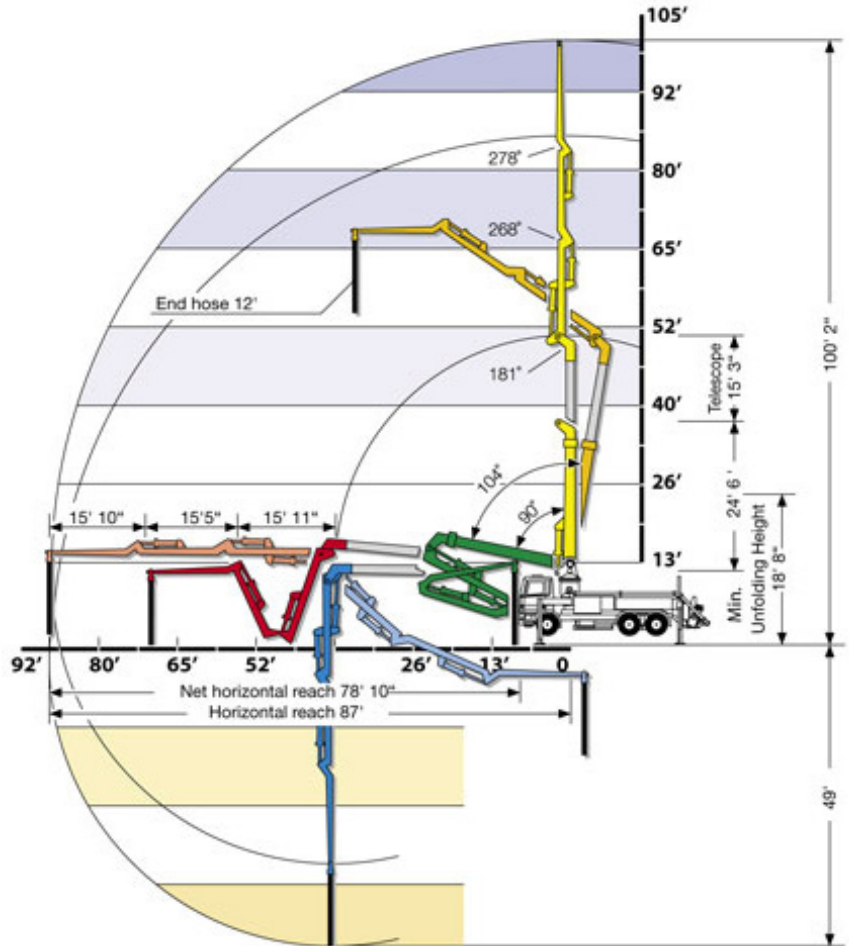
Todd Morgan | President
 Mobile: 513.543.5825
 Fax: 513.863.6176
 tmorgan@ramcrete.com

31 Meter EZ Boom

Outrigger Spread



Boom Chart



SPECIFICATIONS	U.S.	Metric
Vertical Reach	99' 11"	30.5 m
Horizontal Reach	86' 11"	26.5 m
Below Grade Reach w/ Tip Hose	49 ft	14.9 m
Pipeline Diameter	5 in	125 mm
Boom Type/ Sections	Telescopic Double Z / 4	
Boom Rotation	730 degrees	
Unfolding Height	18' 8"	5.7 m
Outrigger Type- Front	Hydraulic Telescoping & Jacking	
Outrigger Type- Rear	Hydraulic Slewing & Jacking	
Outrigger Soil Pressure w/o Dunnage (front/rear)	441/353 psi	30.4/24.3 bar
Outrigger Soil Pressure w/ Dunnage (front/rear)	80/64 psi	5.5/4.4 bar
Outrigger Width, Front	20' 5"	6.2 m
Outrigger Width, Rear	18' 8"	5.7 m
Outrigger Length	24' 5"	7.4 m

PUMP SPECIFICATIONS	U.S.	Metric
Theor. Concrete Output	208 cu yds/h	159 cu m/h
Max Pressure on Concrete	1007 psi	70 bar
Max Strokes Per Minute	26	
Max Aggregate size	2.5 in	63.5 mm
Material Cylinder Diameter	9 in	230 mm
Material Cylinder Stroke	79 in	2006.6 mm
Differential Cylinder Diameter	5.1 in	130 mm
Maximum Oil Flow	105.7 gal/min	400 l/min
Hydraulic Circuitry Type	MPS	
Valve Type	MRock	

Truck Specs

