

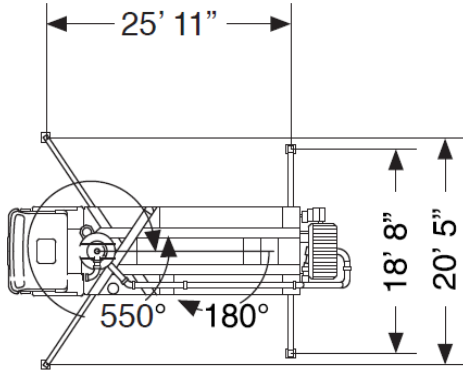
Office: 513.863.7265
 Toll-free: 844.RAM.PUMP
 4604 Old Kyles Station Rd.
 Hamilton, Ohio 45011-2328



Todd Morgan | President
 Mobile: 513.543.5825
 Fax: 513.863.6176
 tmorgan@ramcrete.com

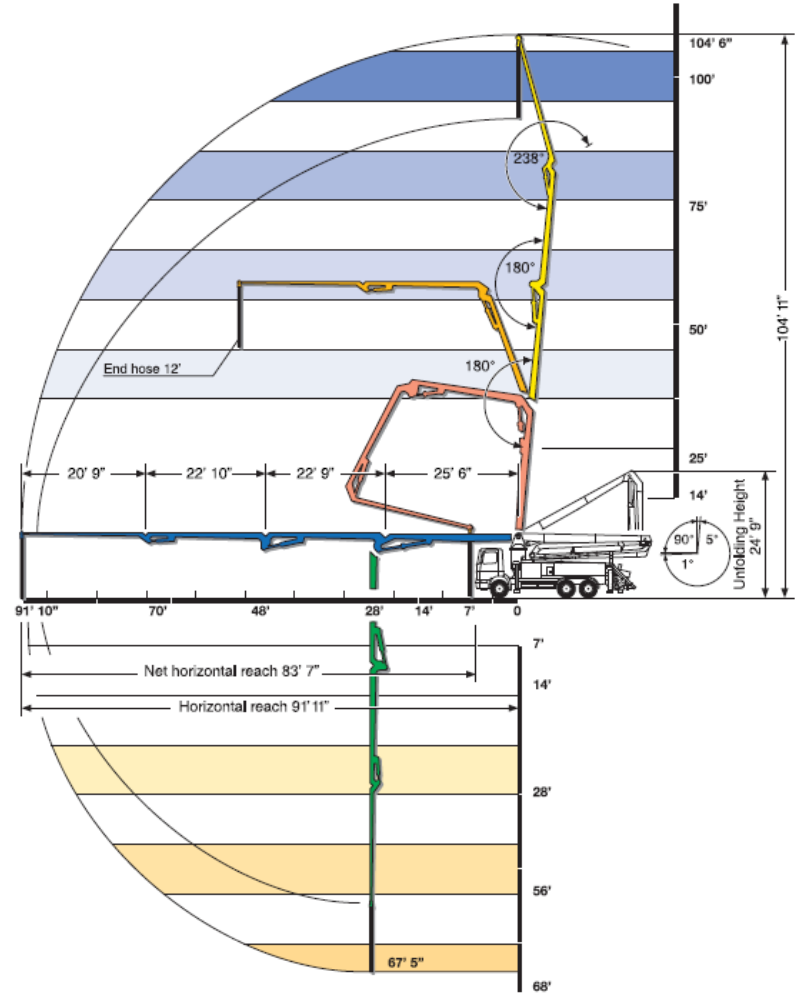
S 32 X Meter Boom

Outrigger Spread



SPECIFICATIONS	U.S.	Metric
Vertical Reach	104' 11"	31.8 m
Horizontal Reach	91' 11"	27.8 m
Below Grade Reach w/ Tip Hose	67' 5"	20.5 m
Pipeline Diameter	5 in	125 mm
Boom Type/ Sections	Full Articulation, Roll & Fold@/4	
Boom Rotation	730 degrees	
Unfolding Height	24' 9"	7.5 m
Outrigger Type- Front	X Outriggers, Fully Hydraulic, Extension & Jacking	
Outrigger Type- Rear	Hydraulic Slewing & Jacking	
Outrigger Soil Pressure w/o Dunnage (front/rear)	397/309 psi	27.4/21.3 bar
Outrigger Soil Pressure w/ Dunnage (front/rear)	72/56 psi	5/3.9 bar
Outrigger Width, Front	20' 5"	6.2 m
Outrigger Width, Rear	18' 8"	5.7 m
Outrigger Length	25' 11"	7.9 m

Boom Chart



PUMP SPECIFICATIONS	U.S.	Metric
Theor. Concrete Output	208 cu yds/h	159 cu m/h
Max. Pressure on Concrete	1007 psi	70 bar
Max. Strokes Per Minute	32	
Max. Aggregate size	2.5 in	63.5 mm
Material Cylinder Diameter	9 in	228.6 mm
Material Cylinder Stroke	79 in	2006.6 mm
Differential Cylinder Diameter	5.1 in	130 mm
Maximum Oil Flow	132.1 gal/min	500 l/min
Hydraulic Circuitry Type	MPS	
Valve Type	M Rock	

Truck Specs

