

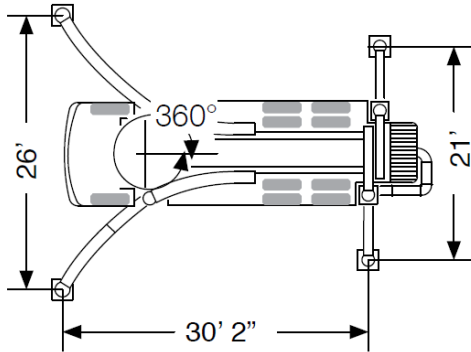
Office: 513.863.7265
 Toll-free: 844.RAM.PUMP
 4604 Old Kyles Station Rd.
 Hamilton, Ohio 45011-2328



Todd Morgan | President
 Mobile: 513.543.5825
 Fax: 513.863.6176
 tmorgan@ramcrete.com

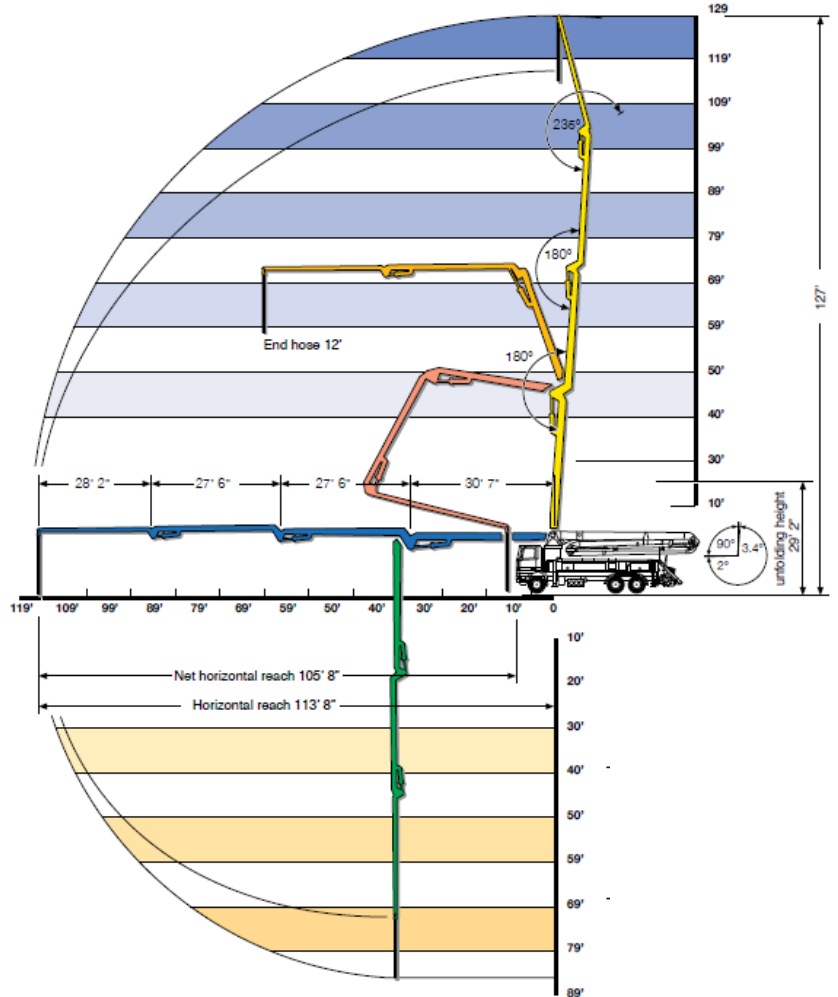
S 39 SX Meter Boom

Outrigger Spread



SPECIFICATIONS	U.S.	Metric
Vertical Reach	127 ft	38.7 m
Horizontal Reach	113' 8"	34.7 m
Below Grade Reach w/ Tip Hose	89 ft	27.1 m
Pipeline Diameter	5 in	125 mm
Boom Type/ Sections	Full Articulation, Roll & Fold@/ 4	
Boom Rotation	730 degrees	
Unfolding Height	29' 2"	8.8 m
Outrigger Type- Front	Super X Outriggers, Fully Hydraulic, Extension & Jacking	
Outrigger Type- Rear	Hydraulic Extension & Jacking	
Outrigger Soil Pressure w/o Dunnage (front/rear)	296/296 psi	20.4/20.4 bar
Outrigger Soil Pressure w/ Dunnage (front/rear)	72/72 psi	5/5 bar
Outrigger Width, Front	26'	7.9 m
Outrigger Width, Rear	21'	6.5 m
Outrigger Length	30' 2"	9.2 m

Boom Chart



PUMP SPECIFICATIONS	U.S.	Metric
Theor. Concrete Output	213 cu yds/h	163 cu m/h
Max. Pressure on Concrete	1169 psi	80 bar
Max. Strokes Per Minute	22	
Max. Aggregate size	2.5 in	63.5 mm
Material Cylinder Diameter	10 in	254 mm
Material Cylinder Stroke	98 in	2500 mm
Differential Cylinder Diameter	4.7 in	120 mm
Maximum Oil Flow	158.5 gal/min	600 l/min
Hydraulic Circuitry Type	MPS	
Valve Type	B Rock	

Truck Specs

