

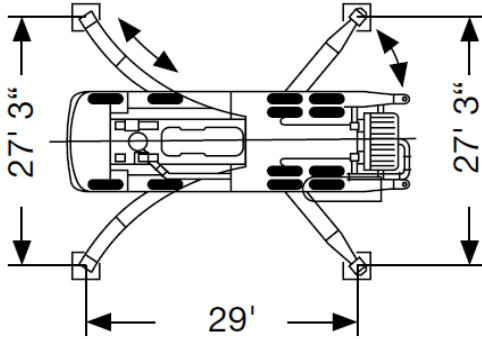
Office: 513.863.7265
 Toll-free: 844.RAM.PUMP
 4604 Old Kyles Station Rd.
 Hamilton, Ohio 45011-2328



Todd Morgan | President
 Mobile: 513.543.5825
 Fax: 513.863.6176
 tmorgan@ramcrete.com

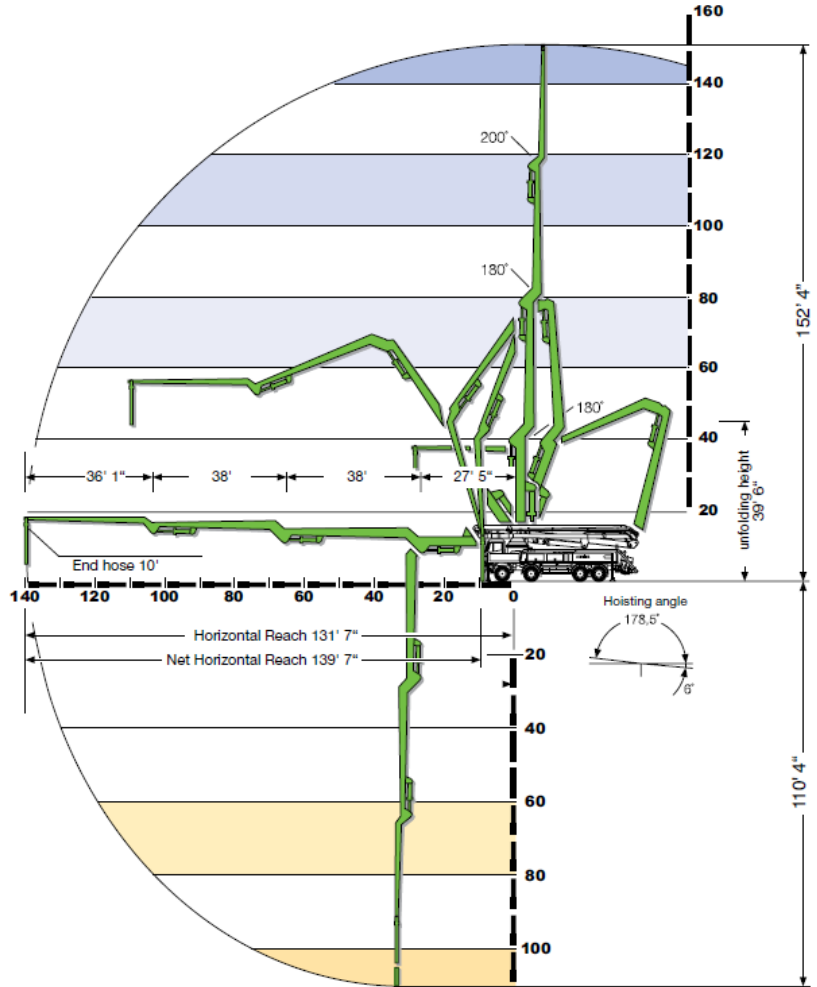
S 47 SX Meter Boom

Outrigger Spread



SPECIFICATIONS	U.S.	Metric
Vertical Reach	152' 4"	46.1 m
Horizontal Reach	139' 7"	42.5 m
Below Grade Reach w/ Tip Hose	110' 4"	33.6 m
Pipeline Diameter	5 in	125 mm
Boom Type/ Sections	Overhead, Roll & Fold@/ 4	
Boom Rotation	380 degrees	
Unfolding Height	39' 6"	12 m
Outrigger Type- Front	Super X, Hydraulic Extension & Jacking	
Outrigger Type- Rear	Hydraulic Slewing & Jacking	
Outrigger Soil Pressure w/o Dunnage (front/rear)	367/353 psi	25.3/24.3 bar
Outrigger Soil Pressure w/ Dunnage (front/rear)	104/100 psi	7.2/6.9 bar
Outrigger Width, Front	27' 3"	8.3 m
Outrigger Width, Rear	27' 3"	8.3 m
Outrigger Length	29 ft	8.8 m

Boom Chart



PUMP SPECIFICATIONS	U.S.	Metric
Theor. Concrete Output	213 cu yds/h	163 cu m/h
Max. Pressure on Concrete	1169 psi	80 bar
Max. Strokes Per Minute	22	
Max. Aggregate size	2.5 in	63.5 mm
Material Cylinder Diameter	10 in	254 mm
Material Cylinder Stroke	98 in	2500 mm
Differential Cylinder Diameter	4.7 in	120 mm
Maximum Oil Flow	158.5 gal/min	600 l/min
Hydraulic Circuitry Type	MPS	
Valve Type	B Rock	

Truck Specs

