

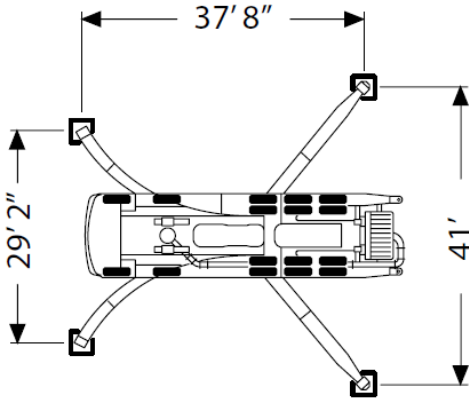
Office: 513.863.7265  
 Toll-free: 844.RAM.PUMP  
 4604 Old Kyles Station Rd.  
 Hamilton, Ohio 45011-2328



Todd Morgan | President  
 Mobile: 513.543.5825  
 Fax: 513.863.6176  
 tmorgan@ramcrete.com

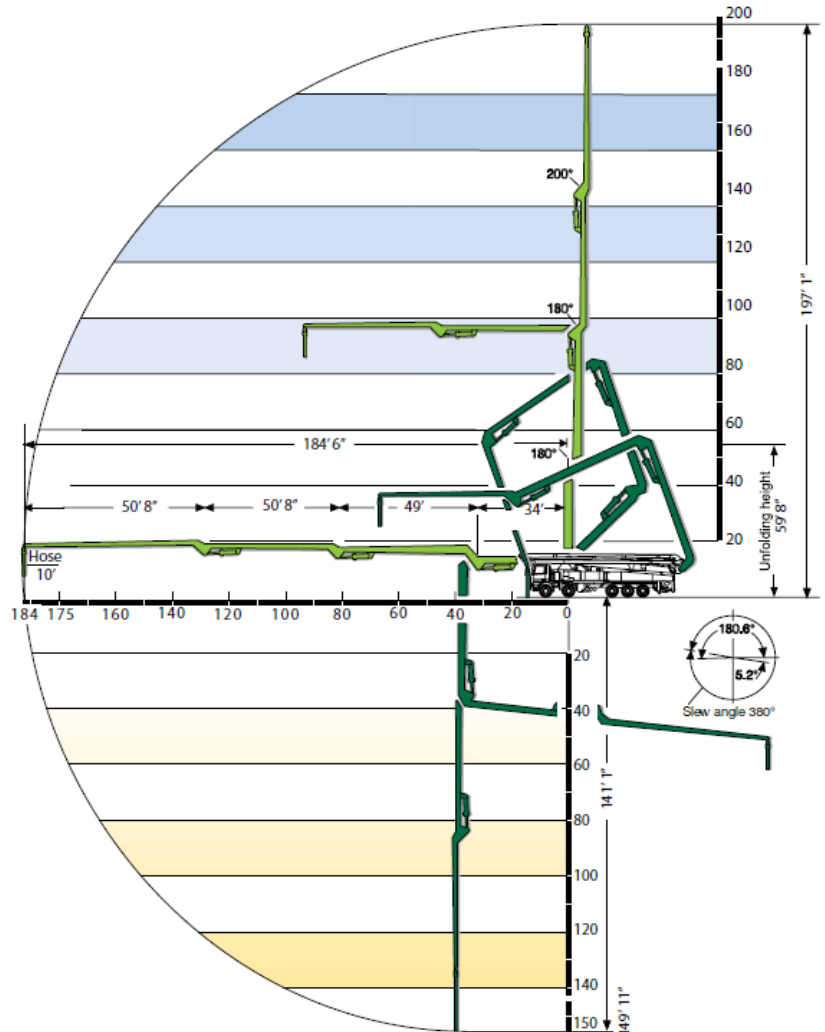
# S 61 SX Meter Boom

## Outrigger Spread



SPECIFICATIONS	U.S.	Metric
Vertical Reach	197' 1"	60.1 m
Horizontal Reach	184' 6"	56.1 m
Below Grade Reach w/ Tip Hose	149' 11"	45.7 m
Pipeline Diameter	4.5 in	112 mm
Boom Type/ Sections	Overhead Roll & Fold®/ 4	
Boom Rotation	380 degrees	
Unfolding Height	59' 8"	18.2 m
Outrigger Type- Front	Super X, Hydraulic Extension & Jacking	
Outrigger Type- Rear	Hydraulic Slewing & Jacking	
Outrigger Soil Pressure w/o Dunnage (front/rear)	760/739 psi	52.4/51 bar
Outrigger Soil Pressure w/ Dunnage (front/rear)	67/65 psi	4.6/4.5 bar
Outrigger Width, Front	29' 2"	8.9 m
Outrigger Width, Rear	41 ft	12.5 m
Outrigger Length	37' 8"	11.5 m

## Boom Chart



PUMP SPECIFICATIONS	U.S.	Metric
Theor. Concrete Output	213 cu yds/h	163 cu m/h
Max. Pressure on Concrete	1169 psi	80 bar
Max. Strokes Per Minute	22	
Max. Aggregate size	2.5 in	63.5 mm
Material Cylinder Diameter	10 in	254 mm
Material Cylinder Stroke	98 in	2500 mm
Differential Cylinder Diameter	4.7 in	120 mm
Maximum Oil Flow	158.5 gal/min	600 l/min
Hydraulic Circuitry Type	MPS	
Valve Type	B Rock	

## Truck Specs

