

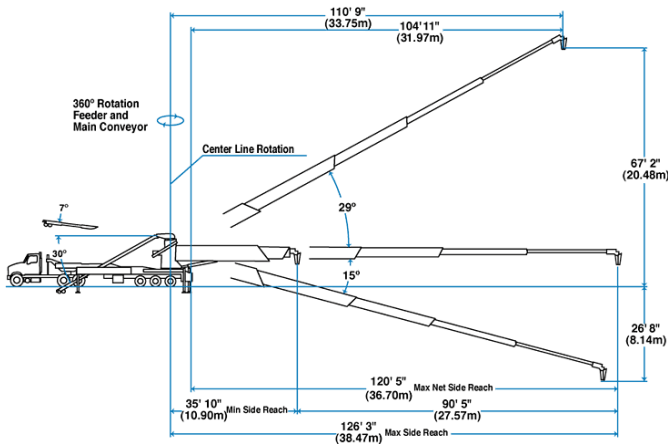
Office: 513.863.7265  
 Toll-free: 844.RAM.PUMP  
 4604 Old Kyles Station Rd.  
 Hamilton, Ohio 45011-2328



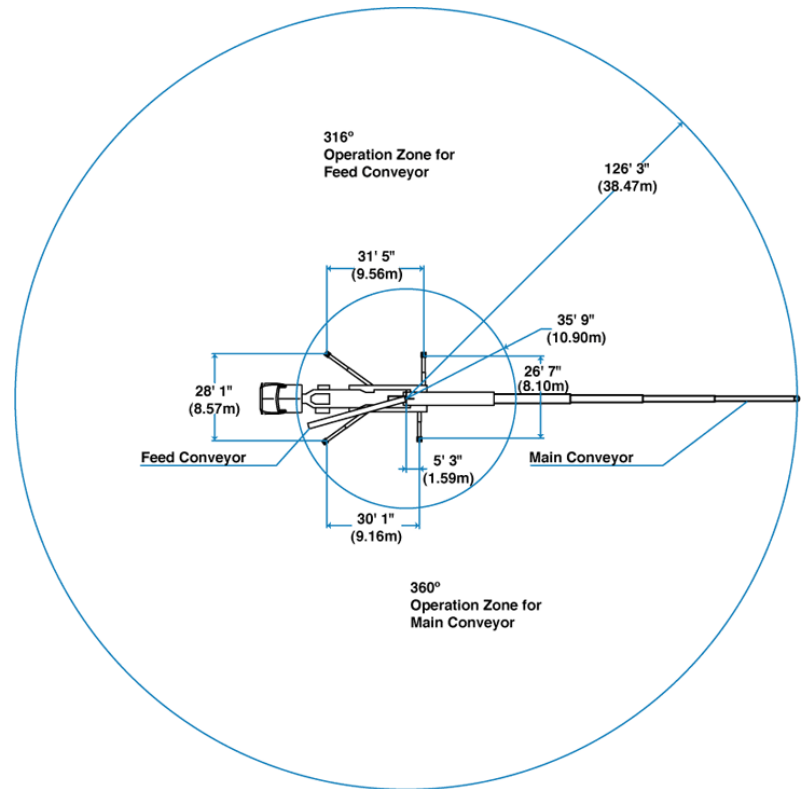
Todd Morgan | President  
 Mobile: 513.543.5825  
 Fax: 513.863.6176  
 tmorgan@ramcrete.com

# TBS 130 Telebelt

## Range Diagram



## Operation Zone



HEIGHT & REACH	
Number of sections	5
Conveyor horizontal reach: maximum at 0°	126' 3" (38.47m)
Conveyor horizontal reach: maximum at 30°	110' 9" (33.74m)
Conveyor belt width	18" (457mm)
Feed conveyor length	38' 0" (11.60m)
Feed conveyor belt width	18" (457mm)
Trunk/end hose length	15' 0" (4.57m)
Discharge height from grade: maximum at 29°	67' 2" (20.48m)
Discharge height from grade: maximum at -15°	-26' 8" (-8.14m)
Rated capacity at 0°: main and feed conveyors by minute	5.00 yd <sup>3</sup> /min (4.00m <sup>3</sup> /min)
Rated capacity up to 20°: main and feed conveyors by minute	3.80 yd <sup>3</sup> /min (2.90m <sup>3</sup> /min)
Rotation-hydraulic	360°

## Specs

OUTRIGGERS	
Net reach beyond outriggers: at 0°	120' 5" (36.70m)
Net reach beyond outriggers: at 29°	104' 11" (31.97m)
Outrigger spread L - R - front hydraulically swing out and extend down	28' 1" (8.56m)
Outrigger spread L - R - rear hydraulically telescope out and extend down	26' 6" (8.10m)
Outrigger load: Front	52,605 lbf (234 kN)
Outrigger load: Rear	46,310 lbf (206 kN)

